

T R Í M M
COPENHAGEN

HAMMOCK STAND



HAMMOCK STAND



Dimensions: 370 cm x 115 cm

Weight: 60 kg

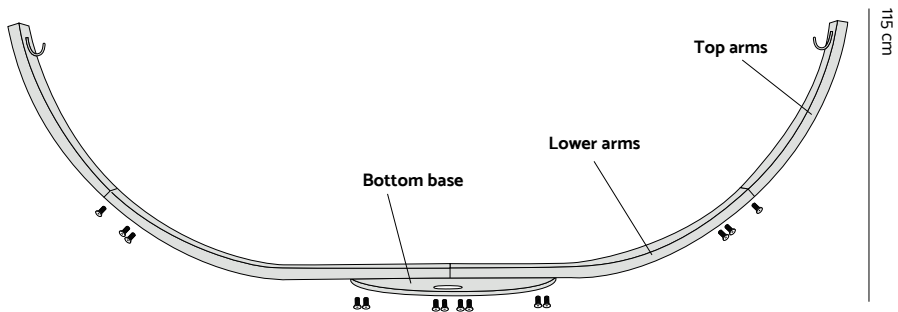
Material: Galvanized steel

Colors: Aluminium Grey, Dark Grey

After fabrication, the steel is hot-dip galvanized. This means dipping it into a bath containing liquefied zinc. This creates a thick, matte coating which ensures superior corrosion protection and high durability with a minimum need for maintenance.

Cleaning and maintenance:

Use soapy water and a brush. Do not use abrasive cleaning agents as this may damage the surface. The product is usable in all types of wind and weather, all year round. However, during wintertime, it is advisable to store the furniture in an unheated room such as a garage or cellar.

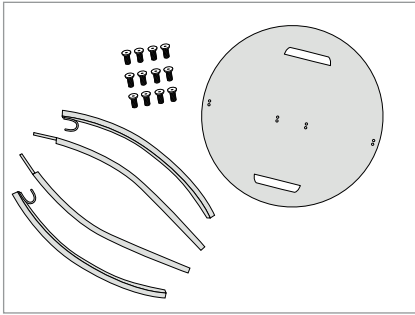


370 cm

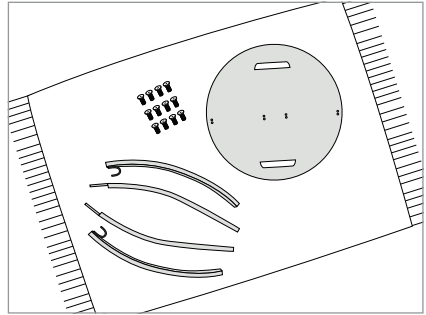
ASSEMBLY INSTRUCTIONS

Content: 2 x Top arms, 2 x Lower arms, 1 x Bottom base, 14 x Screws

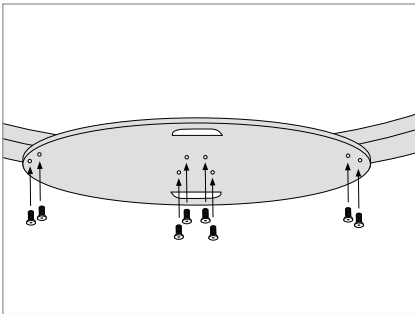
Tools: Allen key



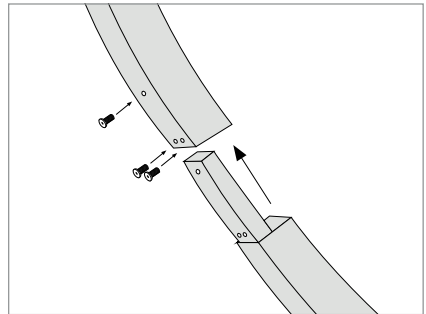
Step 1. Lay out all the parts for stand.



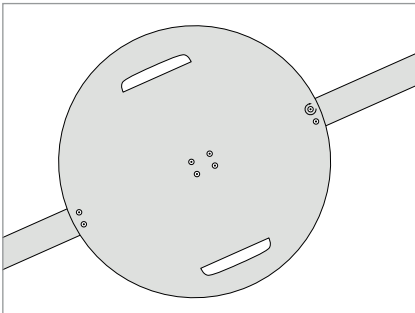
Step 2. Assemble outside or on a blanket to protect your floor.



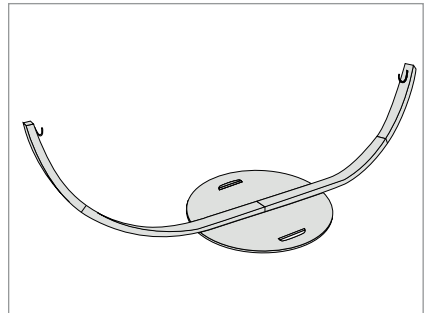
Step 3. Attach the lower arms from underneath the bottom base.



Step 4. Attach the top arms to the lower arms, do not tighten completely.



Step 5. Tighten and adjust all the screws.



Step 6. Your new Hammock Stand is ready for use.

